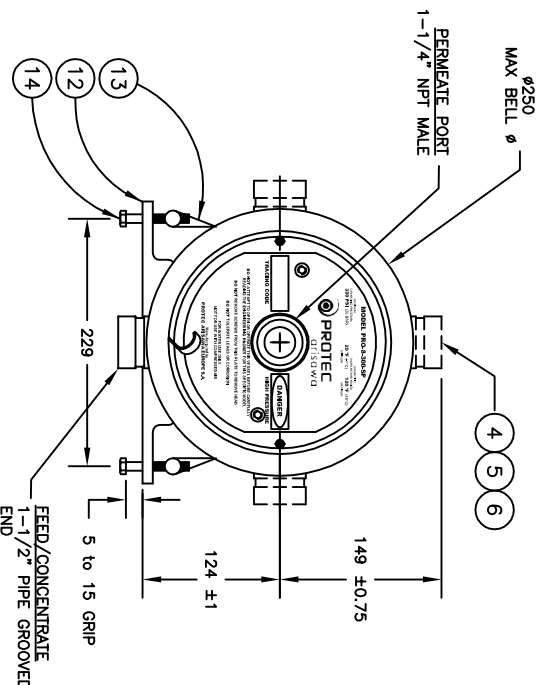


L ±.6
 P1 (Standard) ±1.5
 P2 (Optional) ±1.5
 P3 (Optional) ±1.5

Design Pressure = 300 PSI @ 120 °F
 Min. Design Temperature = 20 °F @ 300 PSI
 Hydrotest Pressure = 330 PSI

300 PSI
 SIDE PORT



Shell Length Code	L	P1 STANDARD	P2 Optional	P3 Optional	S	Span	Empty Weight
-1	1483	1194	1143	1168.4	1@635	mm	32
-1.5	1991	1702	1651	1676.4	1@1067	mm	34
-2	2499	2210	2159	2184.4	1@1422	mm	36
-3	3515	3226	3175	3200.4	1@2032	mm	41
-4	4531	4242	4191	4216.4	2@1626	mm	46
-5	5547	5286	5207	5232.4	2@1981	mm	52
-6	6563	6274	6223	6248.4	2@2337	mm	57
-7	7579	7290	7239	7264.4	2@2692	mm	62
-7.5	8087	7798	7747	7772.4	2@2986	mm	64
-8	8596	8306	8255	8280.4	2@3048	mm	66

ITEM	QTY	P/N	DESCRIPTION	MATERIAL
1	1	4080019	Shell	Filament Wound, Epoxy FRP
2	2	4080028	Bearing Plate	6061-T6 Aluminum, Hard Anodized
3	2	4080177-3	Sealing Plate	Noryl
4	2	4080244	Feed/Concentrate Port, 1-1/2", "D"	Stainless Steel, 316L
5	4	6121187	Retaining Ring, F/C Port 1-1/2", "D"	Stainless Steel, 316L
6	2	6184604N	Seal, F/C Port 1-1/2", "D"	Ethylene Propylene
7	2	4080309	Permeate Port	Noryl
8	2	610442MK	Head Seal	Ethylene Propylene
9	2	6180229N	Permeate Port Seal	Ethylene Propylene
10	2	4080320	Retaining Ring w/ Finger Pull	Stainless Steel, 316L
11	2	6121200	Retaining Ring, Permeate Port	Stainless Steel, 316L
12	2*	4080173	Support Saddle	Thermoplastic Rubber
13	2	4080800	Strap Assembly [M6]	Stainless Steel, 316L
14	4	6150072	Strap Screw [M6x70mm]	Stainless Steel, A4
15	2	5080049	Membrane Adapter	Noryl
16	1	4080165-1	Thrust Cone	PVC Thermoplastic
17	2	6180326N	Adapter Seal	Ethylene Propylene
18	4	6180119N	PWT Seal	Ethylene Propylene
19	2	4080062-4	Shim, Adapter [6mm]	Noryl
20	2	4080704	Shim, Adapter [2mm]	Noryl

*3 each with shell length -4 and longer

DIMENSIONS IN MM
 FOR REFERENCE ONLY. NOT TO BE USED FOR CONSTRUCTION UNLESS CERTIFIED
 CENTER VESSEL ON 2 OR 3 SUPPORTS AT SPAN(S) "S". 3 SUPPORTS REQUIRED FOR LENGTHS 4 AND OVER
 INCORRECT MANIFOLDING WILL CAUSE SEVERE LOCAL STRESS AROUND PORT AND MAY RESULT IN LEAKS AND PREMATURE FAILURE. TAKE EVERY PRECAUTION LISTED IN THIS PACKET.
 INTERNAL PERMEATE PRESSURE MUST NOT EXCEED 125 PSI.
 ASME SECTION X, RP CODE STAMP OPTIONAL
 SPECIFICATIONS SUBJECT TO CHANGE WITHOUT NOTICE



PRO 8-300-SP

X